

2-M20x1.5

52

Ø4.6

48

63.5

10.9

16.9

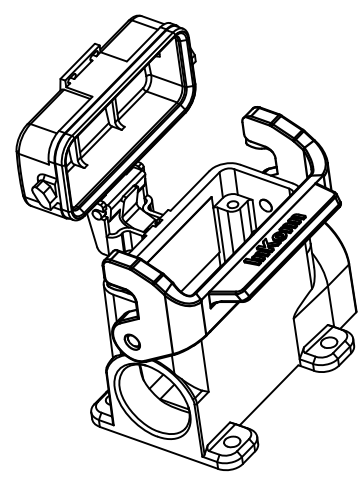
4


40

12.3

50

11.4



 InKonn (Suzhou) Electric Technology Co.,Ltd.	All Dimensions in mm Original Size DIN A4	Date 2021-05-10	Drawing No. TC7456976	Rev. A00	Scale 1:1
	Type Name HA10-SM-PC-SL-2M20	Part No. 10 01 010 0651	Created by Shuxu Huang	Checked by Yiyi Luo	Page 1/1